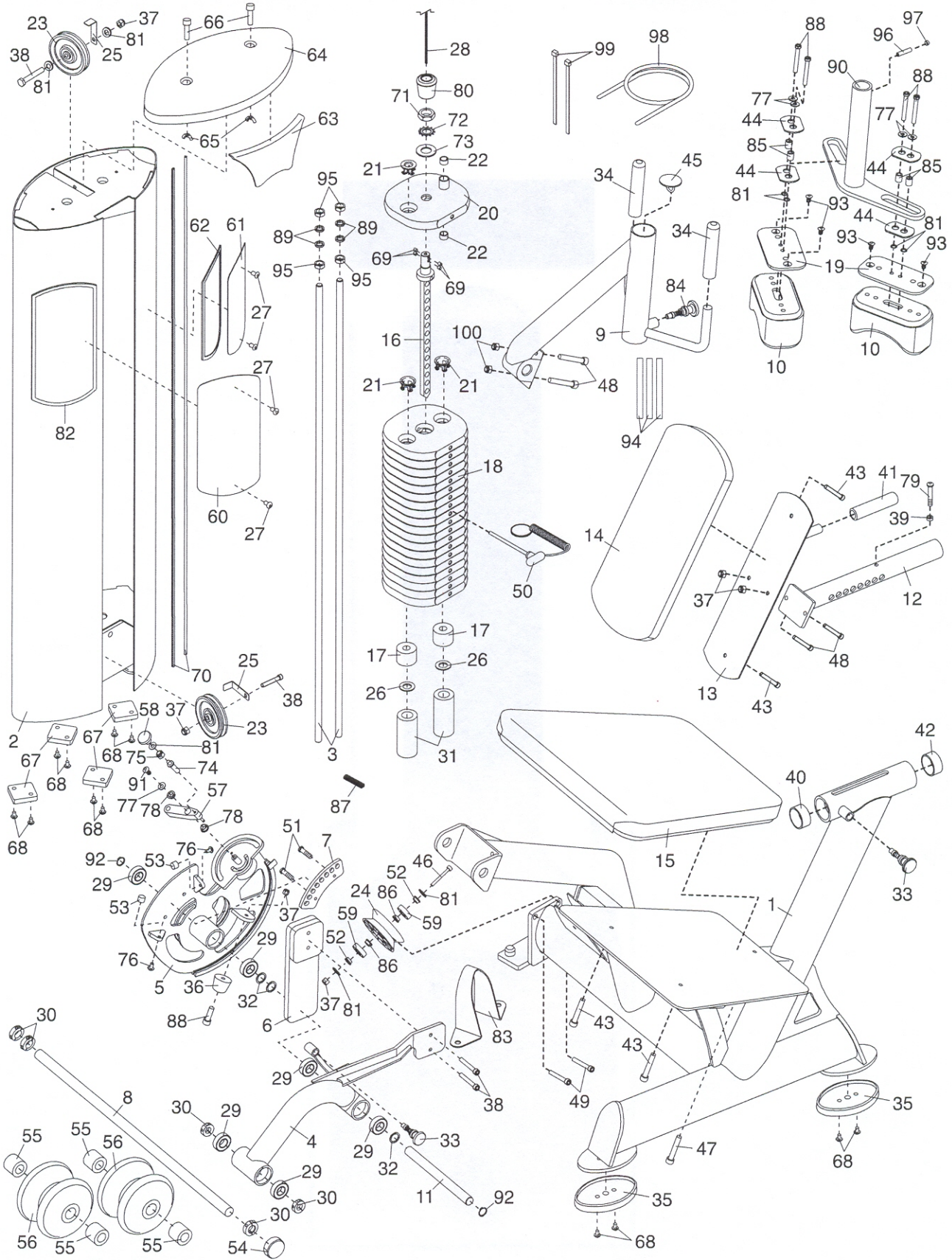


EXPLODED DRAWING—Model No. GZFI8033.5

R0206A



Freemotion Model GZFI80335

Key #	Part #	Description
1	GZ4277	WLDMNT,FRAME,CURL
2	GZ5481	WLDMNT,TWR QUAD GZ5481A
3	GZ3248-10	GUIDE,ROD,WT,.625X56.0"
5	GZ4405	WLDMNT,CAM,CURL
6	GZ9403	WLDMNT,WT,CNTR,LINEX
7	GZ3586	PLATE,SELECTOR,BR NCKL GZ3586A
8	GZ1397	BAR,SHIN GZ1397D
9	GZ4313	WLDMNT,THIGH,SPRT GZ4313A
10	GZ5108-02	PAD,CSHN,SEAT,4X8"
11	GZ1398	AXLE,PIVOT,1X11.925 GZ1398C
12	GZ2312	WLDMNT,SEAT SLIDER,PLT
13	GZ4282	WLDMNT,SEAT-BACK,EXT
14	GZ5108-23	PAD,CSHN,SEAT,BACK,22X10,EPIC
15	GZ5108-19	PAD,CSHN,SEAT,LEG,EXT
16	GZ5484	WLDMNT,SELECTOR,PAINTED
17	GZ1678	SPRNG,.75"IDX2"ODX1.5"
18	GZ30598	WT,CAST,ELL,BLK,10LB
19	GZ3079	PLATE,THIGH-SUPPORT,TAPPED
20	GZ4392	WT,TOP-ASSY,10LB
21	GZ1391-01	BUSHING,WEIGHT,BLK
22	GZ1020	BSHG,TOP WT,GUIDE GZ1020
23	GZ1003-08	PULY,4.5",W/BSHG,FOR-1/4"
24	GZ1003-04	PULY,V,GUIDE GZ1003-04A
25	GZ3102	BKT,L,SIDE PULY GRD
26	GZ1679	WSHR,3/4",ZP,.813"X2"X.122THK
27	GZ1021-01	RIVET,POP,STNLS,1/8X3/16LG
28	GZ5020-12	ASSY,CABLE,LNG
29	GZ1011-01	BRNG,1",6205-2RS-1
30	GZ1292	COLLAR,CLAMP,SHAFT,1",.625"W
31	GZ30629	SPCR,WEIGHT-STACK GZ30629
32	GZ1052	WSHR,FLAT,NYL,.062X1"DIA
33	GZ1501	PIN,POP,STND,W/SPRNG GZ1501A
34	GZ1086-07	GRIP,EEZER,6"
35	GZ1486	ASSY,PLATE,FOOT,RUBBER GZ1486
36	GZ1111	BUMPER,STOP,LARGE GZ1027C
37	GZ1007	NUT,HEX,LOCKING,ZP,3/8-16
38	GZ1013-04	SCREW,SHCS,GR8,ZP,3/8-16X2"
39	GZ1511	BSHG,.375ID,.625OD,.500THK,PLT
40	GZ1509	BSHG,IGIS,MSI-3236-16
41	GZ1514	GRIP,.88"IDX5"LNGX.19"THK,YELW
42	GZ1510	BSHG,IGIS,MSI-3236-32
43	GZ1014-01	SCREW,SHCS,GR8,ZP,3/8-16X1"
44	GZ1025	SLIDER,NYLON GZ1025
45	GZ4212	WLDMNT,BUNGEE GZ4212

46	GZ1013-05	SCREW,SHCS,GR8,ZP,3/8-16X2.5"
47	GZ1014-05	SCREW,SHCS,GR8,ZP,3/8-16X2.25
48	GZ1013-03	SCREW,SHCS,GR8,ZP,3/8-16X1"
49	GZ1009-03	SCREW,SHCS,GR8,ZP,1/2-13X1.25"
50	GZ1754	PIN,SELECTOR,HT-TRT,W/TETHER
51	GZ1012-08	SCREW,SBHS,NYL LOC,3/8-16X5/8"
52	GZ1473	BSHG,.390X.320" FENNER
53	GZ1473	BSHG,.390X.320" FENNER
54	GZ1399	COVER,CLAMP,PROTECTIVE GZ1399A
55	GZ1650	BRNG,LINEAR,1",NB,GW-16UU
56	313536	PAD,ROLL,BLK
57	GZ2316	WLDMNT,SWITCH,LG,PLT GZ2316
58	GZ1503	KNOB,PLSTC,YELLOW GZ1503A
59	GZ1169-01	BEARING,6203-2RS/C3,W/O,BSHG
60	GZ30349	PLATE,CURVED,14.44" GZ30347A
61	GZ30347	PLATE,CURVED,11.19" GZ30347A
62	GZ1567	CVR,PLACARD-FRAME,11.5" 1565A
63	GZ3516	CAP,TONGUE GZ3516A
64	GZ3453	CAP,TOP,MOLDED GZ3453A
65	GZ1430	NUT,WING,ZP,1/4-20
66	252783	SCREW,SBHS,AL2000,1/4-20X1"
67	GZ1517	ASSY,FOOT,MOLDED,W/INSRT 1517a
68	GZ1012-07	SCREW,SBHS,GR8,ZP,3/8-16X.500
69	GZ1673	SCREW,SET,OVL,BZP,5/16-18X5/16
70	GZ1504	TRIM,EDGE,BLK,IM7702-400FT DS
71	GZ1418	NUT,JAM,HEX,ZP,1-14UNF
72	GZ1419	WASHER,STAR,ZP,1"
73	GZ1431	WSHR,FLAT,ZP,SAE,1"X2"OD
74	GZ1617	TERMINAL,SWITCH,PLATED GZ1617
75	GZ1083	NUT,HEX,JAM,ZP,3/8-24
76	GZ1012-16	SCREW,SBHS,GR8,ZP,5/16-18X5/8"
77	GZ1074	WSHR,PLAIN,5/16"
78	GZ1388	BUSHING,IGUS,MFI-1012-06
79	GZ1599	SCREW,SBHS,3/8-16X.75",YELLOW
80	GZ1353	CVR,SLEEVE,BLK GZ1353A
81	GZ1069	WSHR,LOCK,ZP,SERATED,3/8"
82	GZ1565	CVR,PLACARD-FRAME,12.5" 1565A
83	GZ30218	STRAP,HOLD-DOWN GZ30218
84	GZ1502	PIN,POP,TPR,W/SPRNG GZ1502A
86	GZ1623	BSHG,.390"X.50",FENNER,CB0001
87	GZ1612	SPRING ,EXT,C-135
88	GZ1013-12	SCREW,SHCS,ZP,3/8-16X1.25"
89	GZ1085	WSHR,LOCK,SPLIT,ZP,5/8"
90	GZ4204	WLDMNT,THIGH,SPPRT,PLT GZ4204B
91	GZ1012-01	SCREW,SBHS,GR8,ZP,3/8-16X.75"
92	GZ1018-07	RTNR,RING,EXT,TZP,1"

93	GZ1038-04	SCREW,FHCS,ZP,3/8-16X1"
95	GZ1084	NUT,HEX,JAM,ZP,5/8-18
96	GZ1097	PIN,ROLL,1/4X1.25"
97	GZ1585	CVR,ROLL PIN,YELLOW
99	GZ1081	CLAMP,CBL TIE,BLK,4"
100	133945	NUT,HX,NYL LCK,JAM,TZP,3/8-16
#	GZ7340	OM,GZFI80335
#	GZ7003	DECAL,WARNING,EXT,1-10 PT
#	GZ7026	DECAL,SELECTOR PIN INSERT
#	GZ7005	DECAL,CAUTION,MOVING PARTS